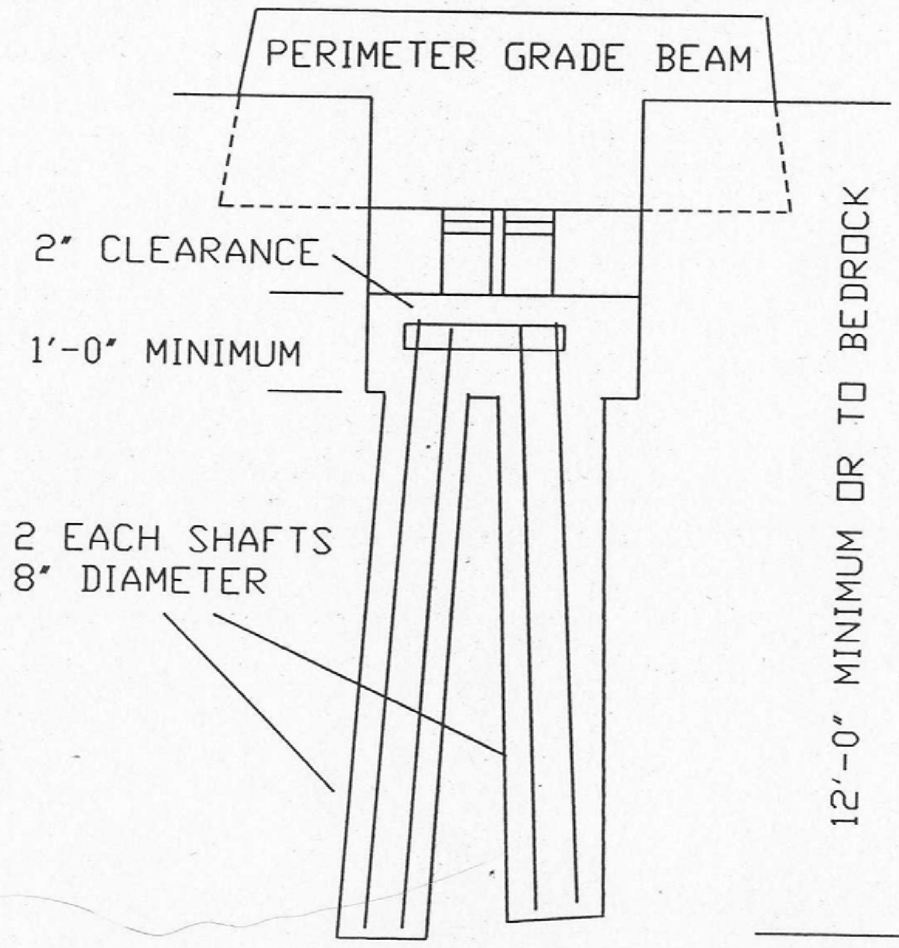


- NOTES:
1. Concrete to be 3000 psi at 28 days.
 2. Reinforcing steel to be ASTM Grade 40.
 3. Piers to cure for seven (7) days before mechanically raising.
 4. All rebar to have 2 inches clearance from the side of the hole.

NOT TO SCALE

LONG SECTION



CROSS SECTION

